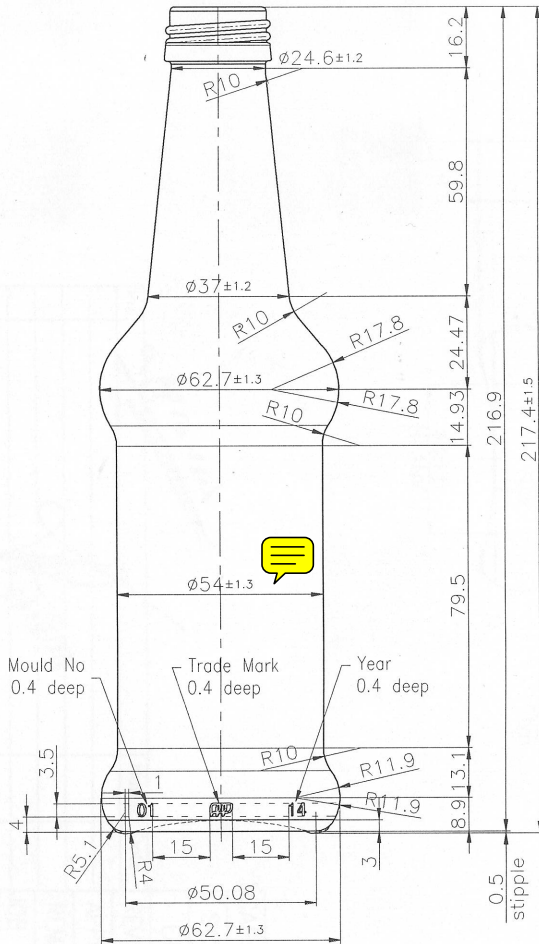
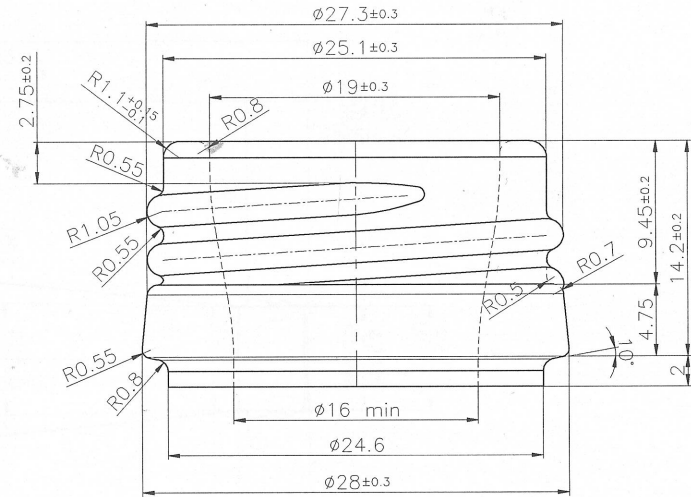
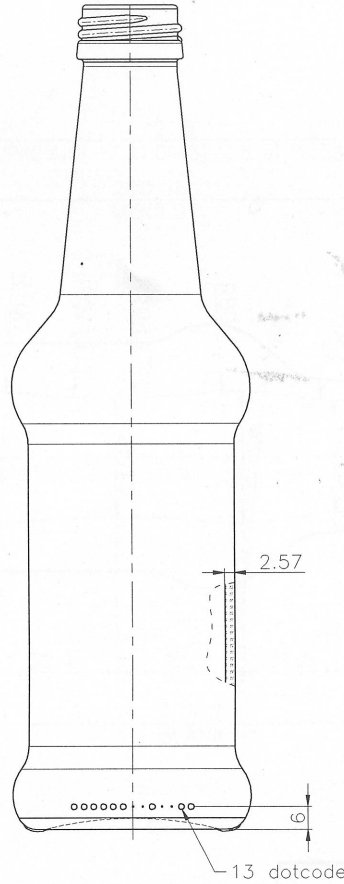


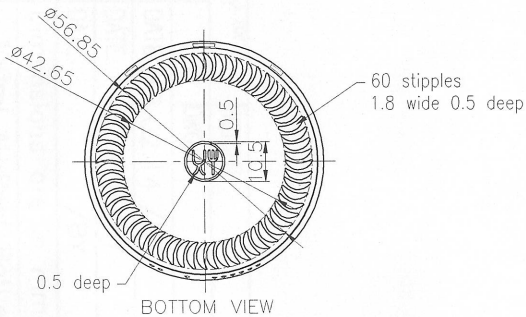
FRONT VIEW



BACK VIEW



Cutter : $\phi 12.5$
Pitch : 3.2
Scale : 4:1



Approved

[Signature]
24/12/14

DESCRIPTION :	STD. WEIGHT :	BROTHER	
300ml Al-Reef Bottle	GRAMS NOMINAL	Brother Glass Mould MFG Co.,Ltd	
CUSTOMER :	BRIMFUL CAPACITY :	DRAWN BY :	
	MILLILITRES	DATE : 13.02.2014	
CUSTOMER'S APPROVAL :	FILL POINT CAPACITY :	CHECKED BY :	
	MILLILITRES	DATE :	
	FILLING POINT :	APPROVED BY :	
	NOM. HEADSPACE	DATE :	
	COLOUR :	SCALE : 1:1	
	FINISH :	DRG. NO.:	
	MCA 2		
DATE :	A.C.L. DECORATION :		