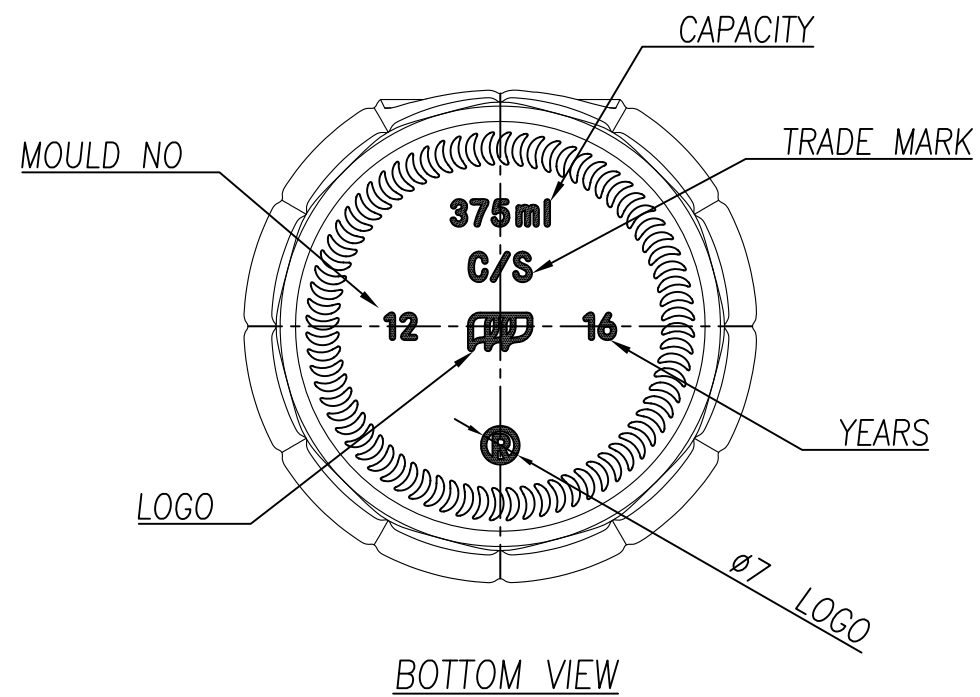


BACK VIEW



BOTTOM VIEW

ALL DIMENSIONS ARE IN MILLIMETERS

M.C.G.I



JOB NAME	DORA BOTTLE 375 ML		
CUSTOMER			
FILLING	375 ± 10 ML	PROCESS	B-B
BRIMFULL	395 ± 10 ML	DRAWN BY	W.R
WEIGHT	310 ± 10 GR	DATE	31.10.2015
FINISH	AC 305	REVISE	19/12/2017

DRG. NO.

/