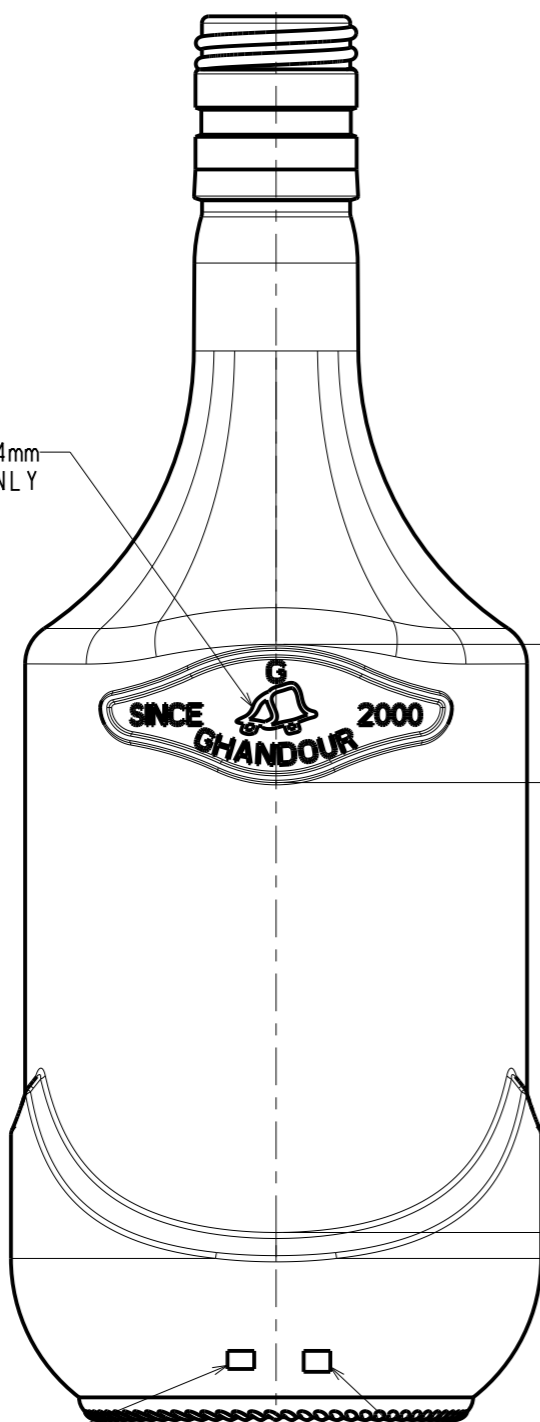


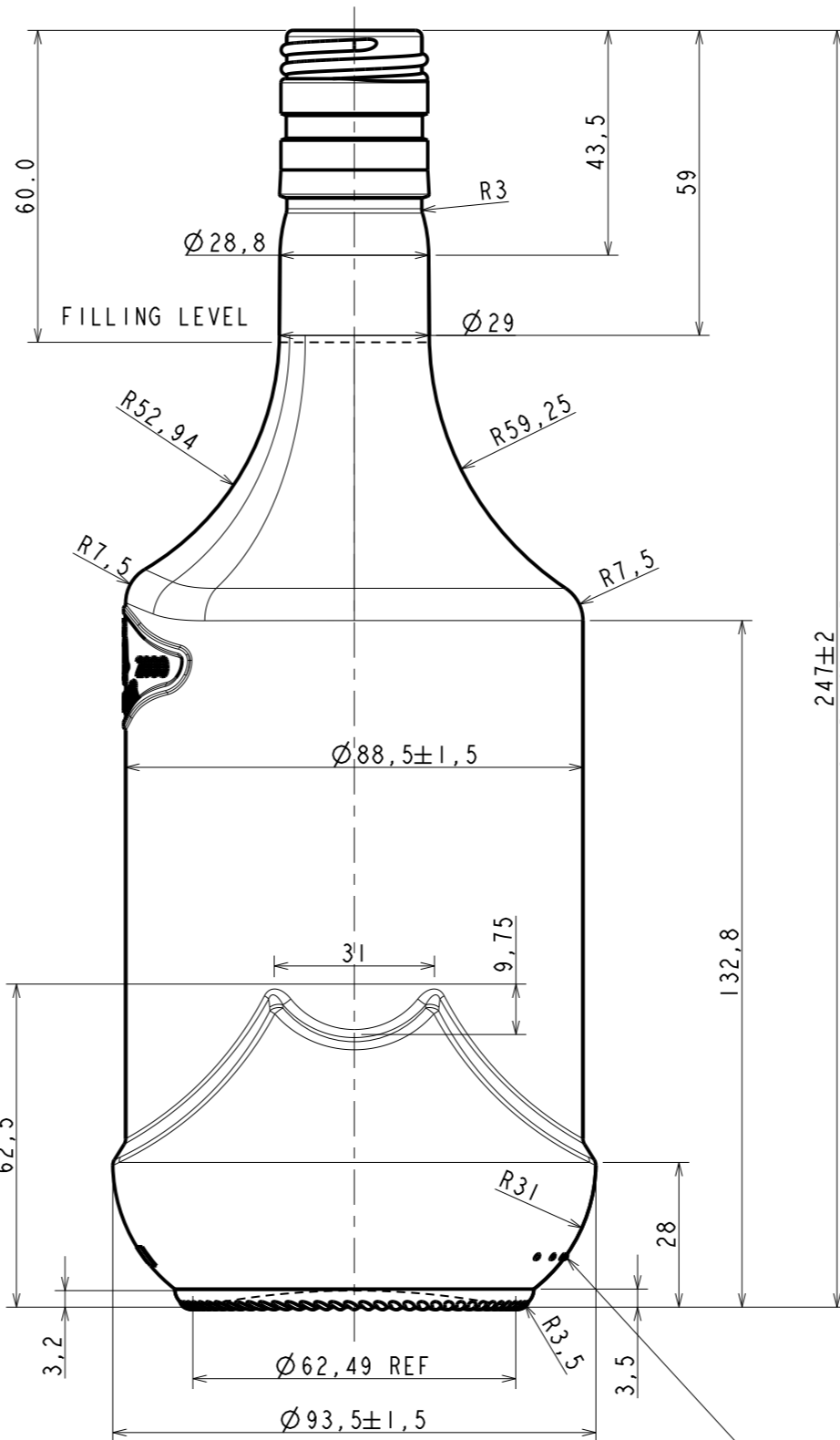
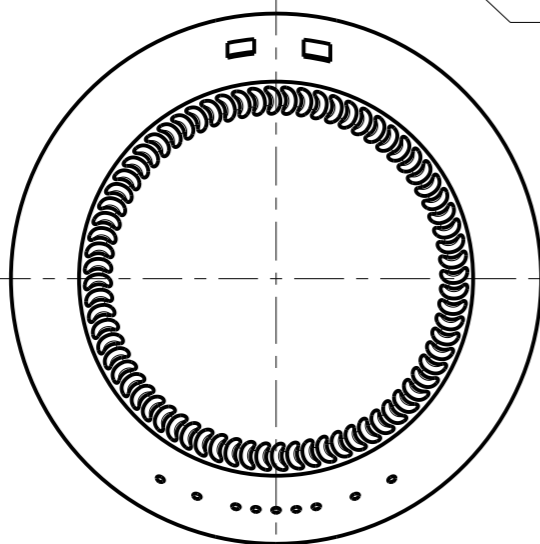
EMBOSSING 0.4mm
ON FRONT HALF ONLY



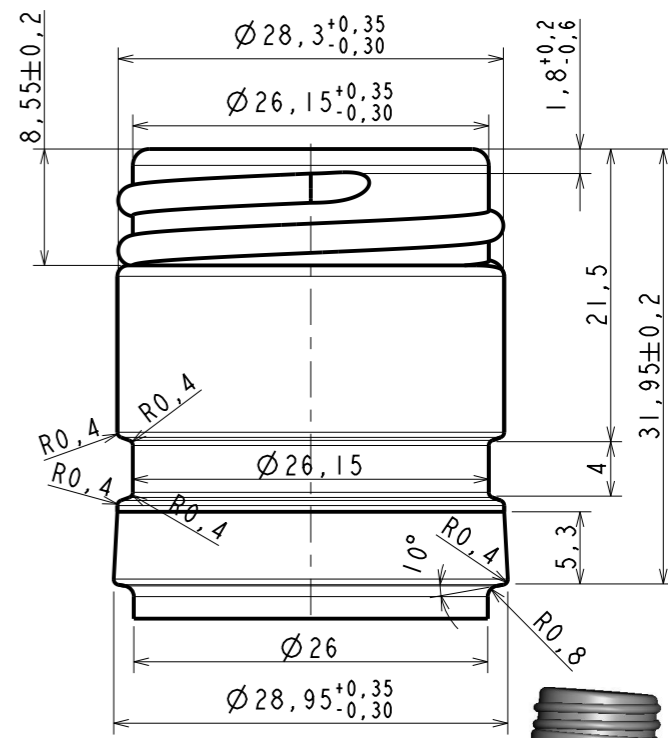
FRONT VIEW

MANUFACTURER
LOGO

CAVITY NO.



247±2
INCLUDING KNURLING



NECK FINISH DETAILS
PITCH=3.2



DESCRIPTION 750ml GHANDOUR BOTTLE	WEIGHT (g)	488±15	SCALE:		EGY GLASS MOULD CO.			
	BFC (ml)	770±10	NOT TO SCALE		ALL DIMENSIONS ARE IN MILLIMETER			
DRAWING NO:	FILL CAP (ml)	750±10	DRAWN	DATE:				
	COLOR	FLINT		18.4.17				
	NECK FINISH	30pp EXTRA DEEP	CHECKED	APPROVED				
					REV.NO.	REVISION	DATE	SIGN