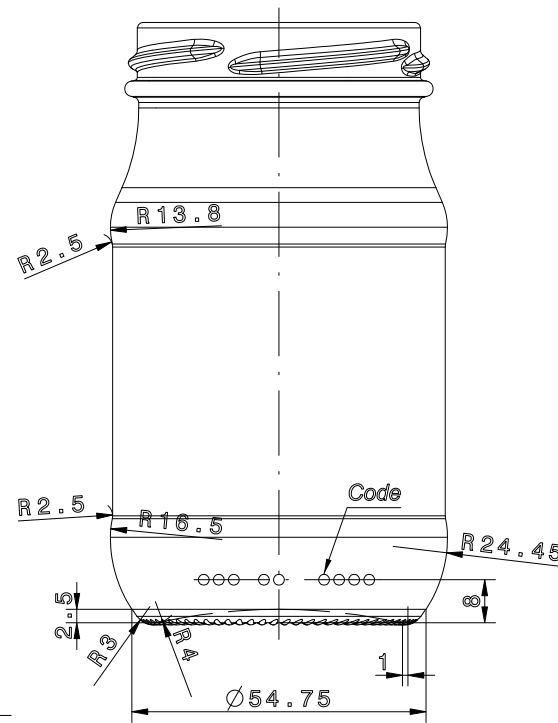


Mould no., 0.3 mm high

Year of product., 0.3 mm high

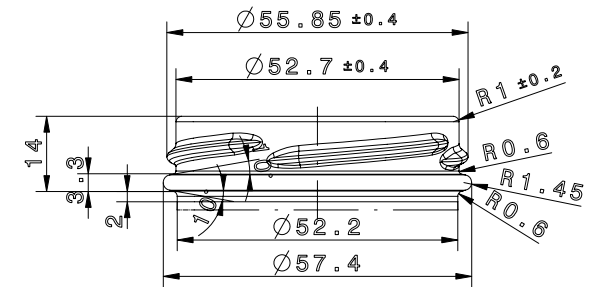
Front view
Scale: 1:1

Trade mark, 0.3 mm high

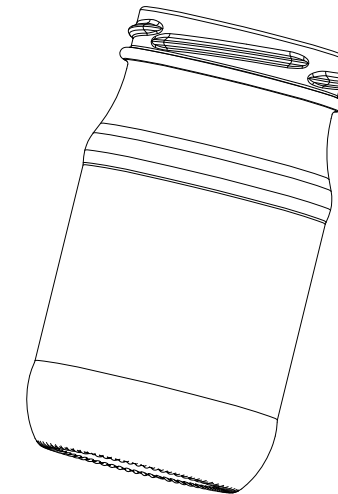


Rear view
Scale: 1:1

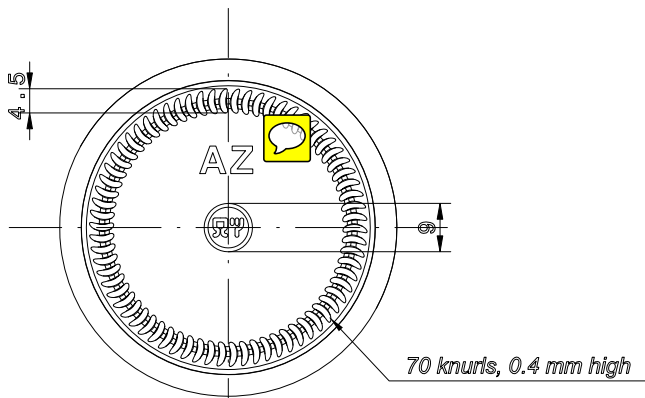
Finish type: GPI 2020 - SIZE 58



Detail A
Scale: 1:1




Isometric view
Sca



Bottom view
Scale: 1:1

70 knurls, 0.4 mm high

						ARTICLE						
						Place	Description		Poz.	Material	Dimension	
							Date	Name				
						Designer	10.03.18.	Krklec I.				
						Designer	10.03.18.	Krklec I.				
						Designer	10.03.18.	TEPEŠ				
						Description: AZ JAR 230ml						
						Capacity: 236ml (full level 280 ± 6ml)						
b	Change language on header					11.03.18.	Krklec I.	Weight:	146g			
a	Add wall					10.03.18.	Krklec I.	Process:	PB	Customer: MODERN COMPANY SYRIA		
Version	Revision					Date	Designer	Scale:	1:1	Dwg no.: 00-00		