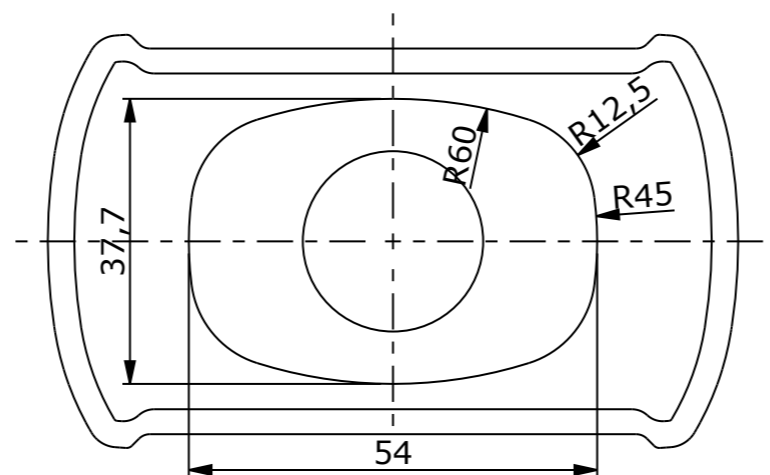
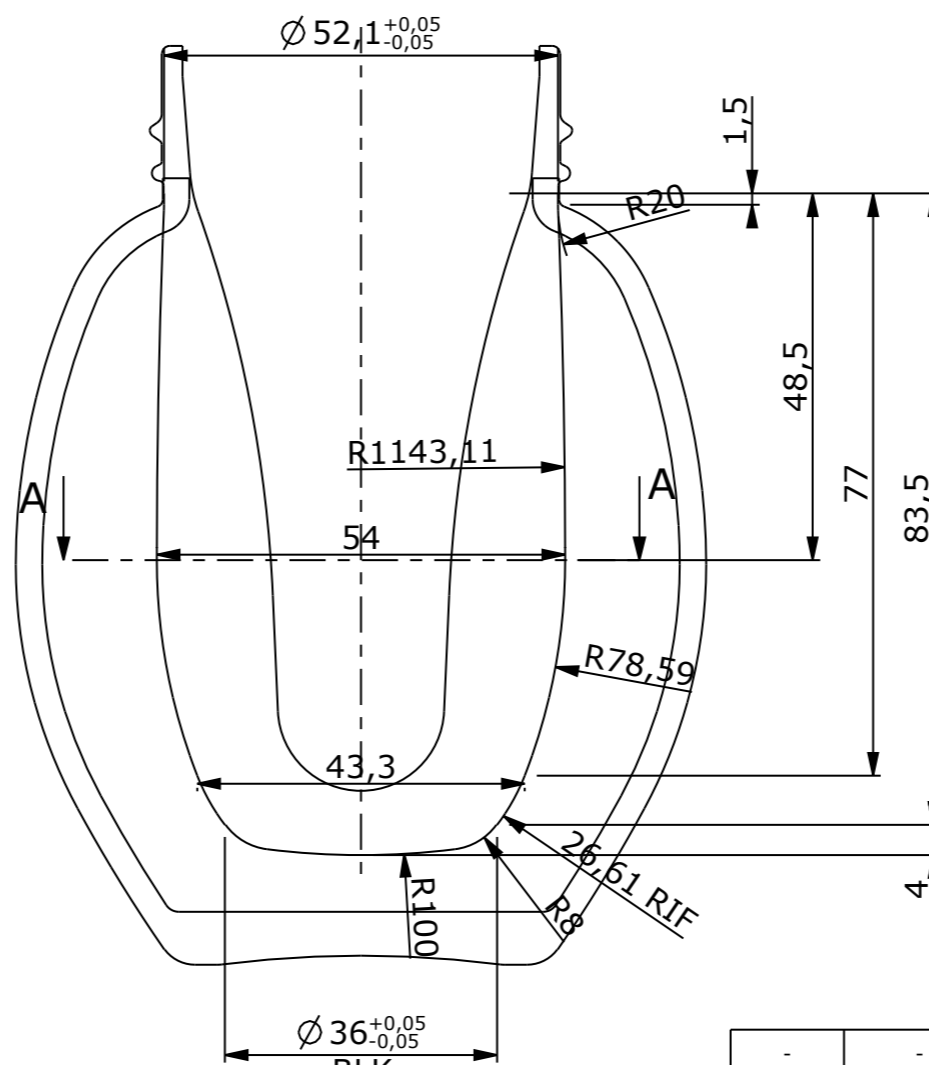
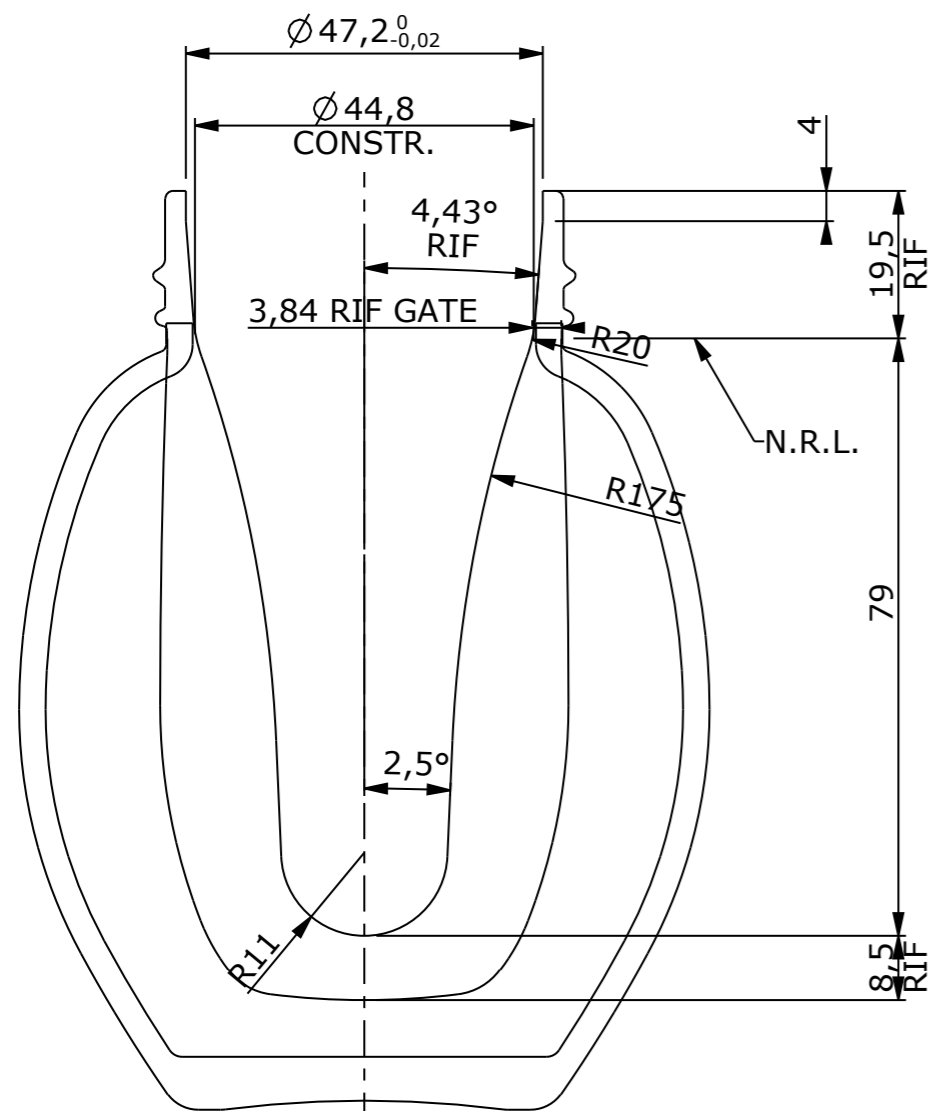


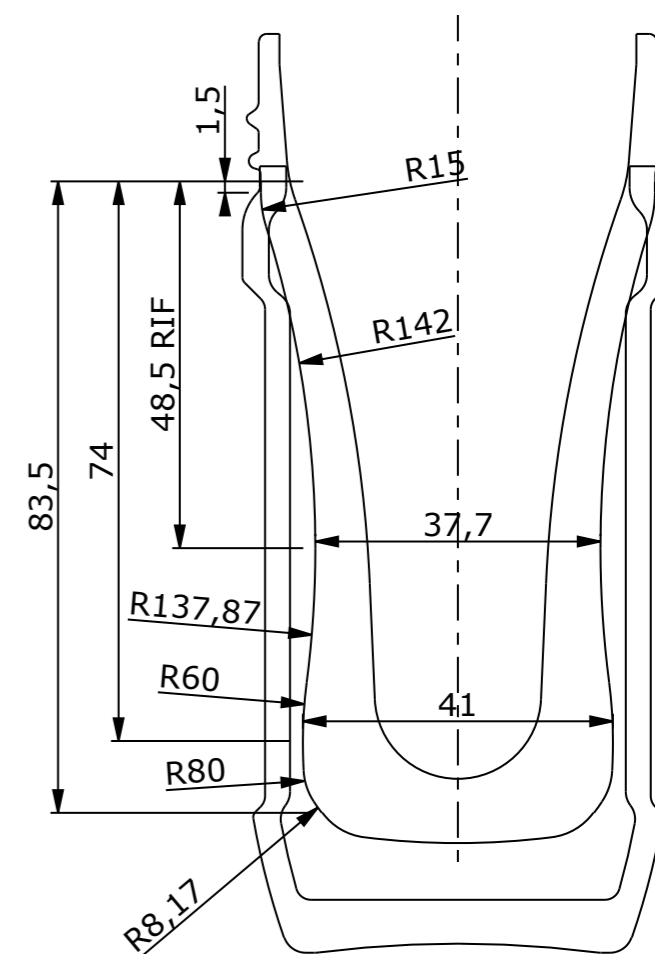
POSIZIONE



SEZIONE A-A



SEZIONE Y-Y



SEZIONE X-X

VOLUME STAMPO C.F. MOULD DISPL. WITH BAF.	149,1 cc ± 0.5
VOLUME STAMPO S.F. MOULD DISPL. W/OUT BAF.	146,3 cc ± 0.5
VOLUME FONDINO BAFFLE VOLUME	2,8cc
VOLUME MASCHIO PLUNGER VOL.	83,7cc
VOL. BOCCA (CON COLLO) FINISH VOL. (INCL. NECK)	43,3cc
VOLUME PARISON PARISON VOL.	108,7 cc
VOLUME VETRO (GWx0,41) GLASS VOLUME	108,7cc

-	-	-	-
B	07/2019	PARISON AMENDED TO NEW MOULD CAVITY DIMENSIONS	AG
REV.	DATA	DESCRIZIONE	SIGLA



**GIANCARLO PEREGO S.p.A.**

STAMPI PER INDUSTRIE VETRARIE

COMPANY WITH QUALITY SYSTEM CERTIFIED BY DNV GL = ISO 9001 =

CUSTOMER: MODERN GLASS	MACHINE: DG 5"	PROCESS: PB	POS: 15845	REV: B	COD: LP
ARTICLE: 425G JAR	INVERT: 62,00	H. DIM.: 15,90	MATERIAL: CI_GP9		
ARTICLE DRAWING N° --	ASSEMBLY: 12	DATA SHEET: --	Q.TY: 6		
FINISH: TO58 FD136	BRIMFUL: 328,0	GLASS WT.: 265,0 Gr.	UNIT WT.: 1,5 Kg		
TITLE: PARISON LAYOUT	SCALE: 1:1	DATE: MAR 2019	DESIGNER: AG	CHECKED: -	