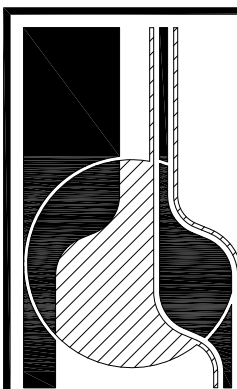
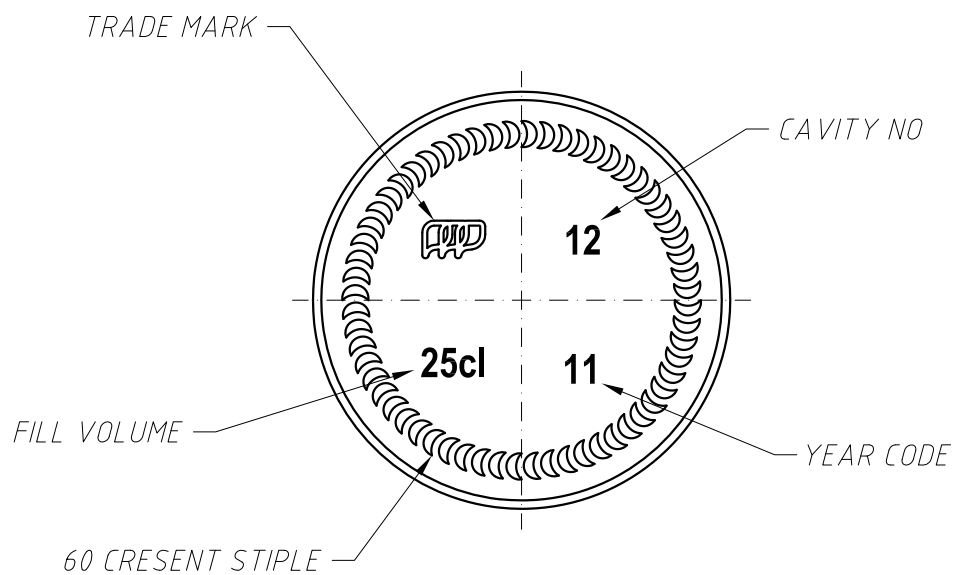


ENGRAVING IN OPPOSITE HALF OF DOT CODE



© BIEBOUW B.V.B.A.
 Industriestraat 17
 B-8755 Ruiselede
 Belgium

Tel.: +32 (0)51 686714
 Fax.: +32 (0)51 689182
 Email: info@biebouw.com

JOB NAME	250ml BUON GIORNO		
CUSTOMER	M.C.G.I.		
FILLING	250,0 +/- 8ml	PROCESS	PB
BRIMFULL	263,0 +/- 10ml	DRAWN BY	BIE 01
WEIGHT	150grm +/- 10grm	CHECKED BY	
FINISH	TO 38mm FD 146	DATE	18.12.2010

DRG. NO.

FKE1808 - 01 / A