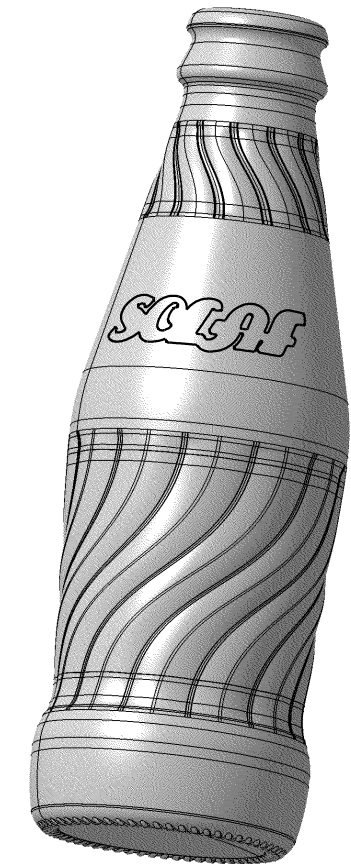
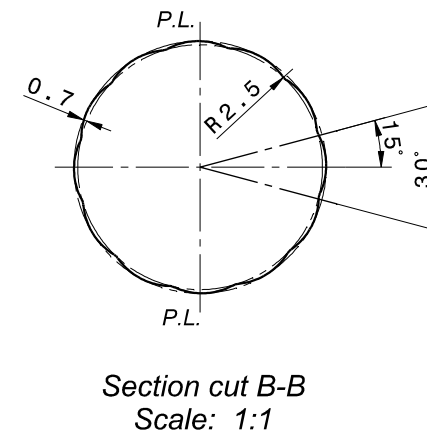
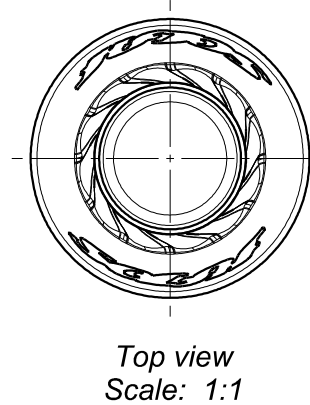
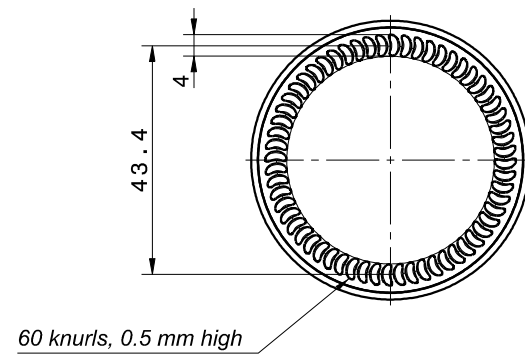
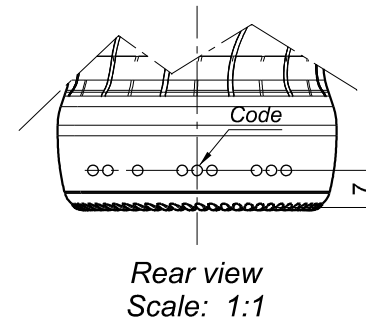
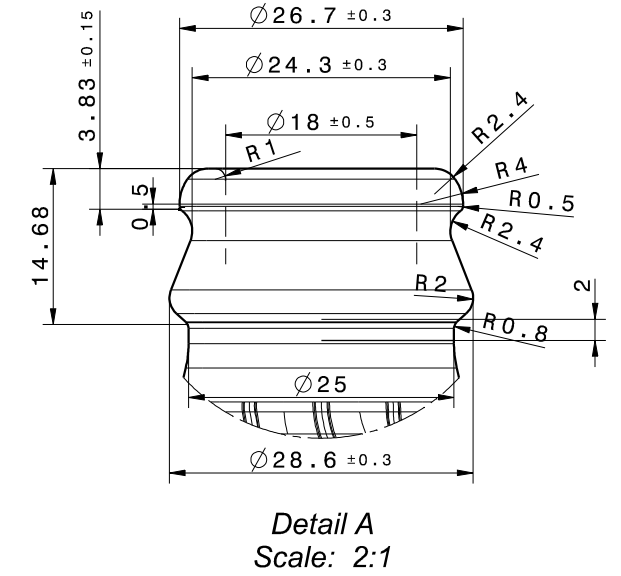
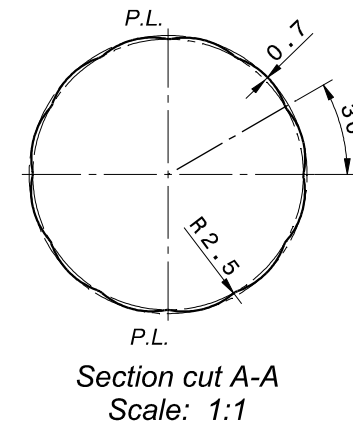
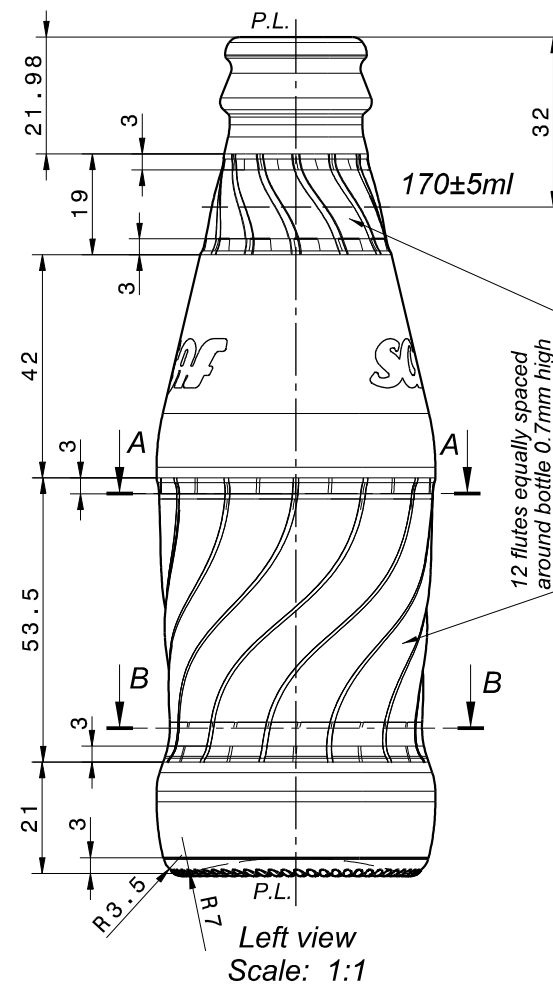
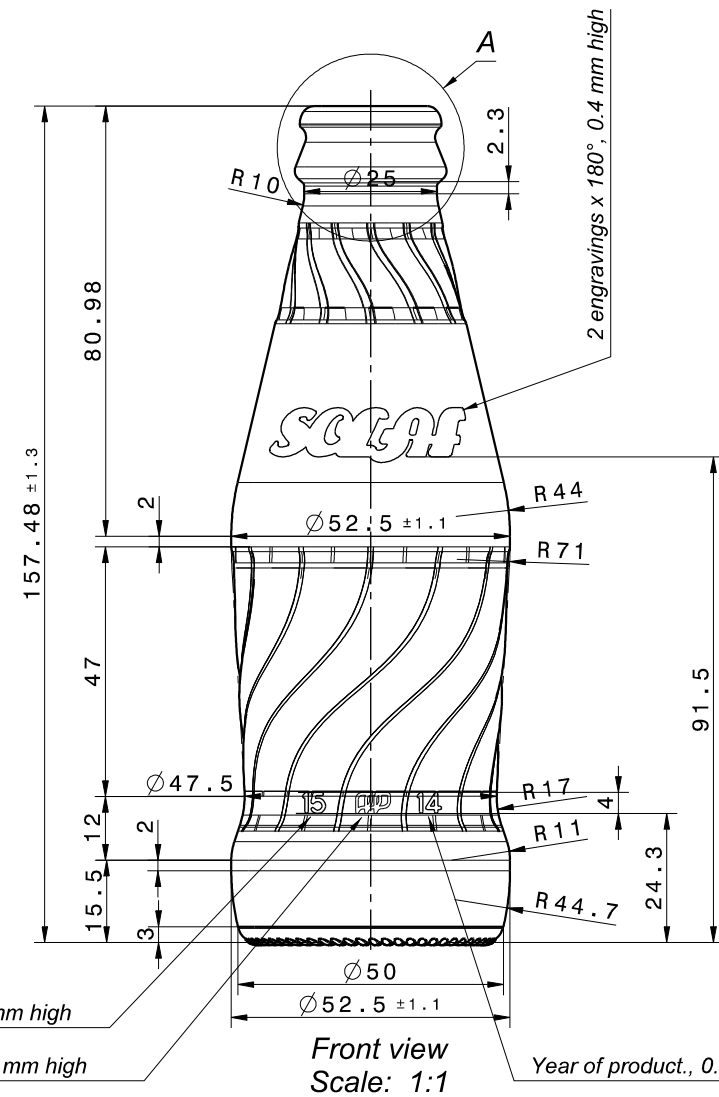


29.05.14.
03.06.14.
09.06.14.
10.07.14.

Finish type: GCM1 26-655



Tip angle -21.4°

\*-Construction dimension

CAPACITY LEVEL FULL	180	ML	WEIGHT	150±10	GRM	DESIGNER	Krklec I.	DATE	27.05.14.	FINISH #1	GCM1 26-655	WALL	2.7mm	NOTE: DO NOT SCALE
CAPACITY AT FILL LINE	170±5	ML	GLASS COLOUR	FL INT		Job. No.	K00000							1 DIMENSIONS SHOW GLASS SIZES, UNTOLERANCED DIMENSIONS ARE NOT SUBJECT TO SPECIFIED LIMITS
FILL LINE	32	FROM TOP	REF. No.			TITLE	SOLAF JUICE 170ml							2 FILLING POINT MEASURED FROM TOP CENTRALLY INSIDE.
VACUITY	5.9%													3 CAPACITY TOLERANCE APPLIES TO BULK TEST MEAN OF 12.